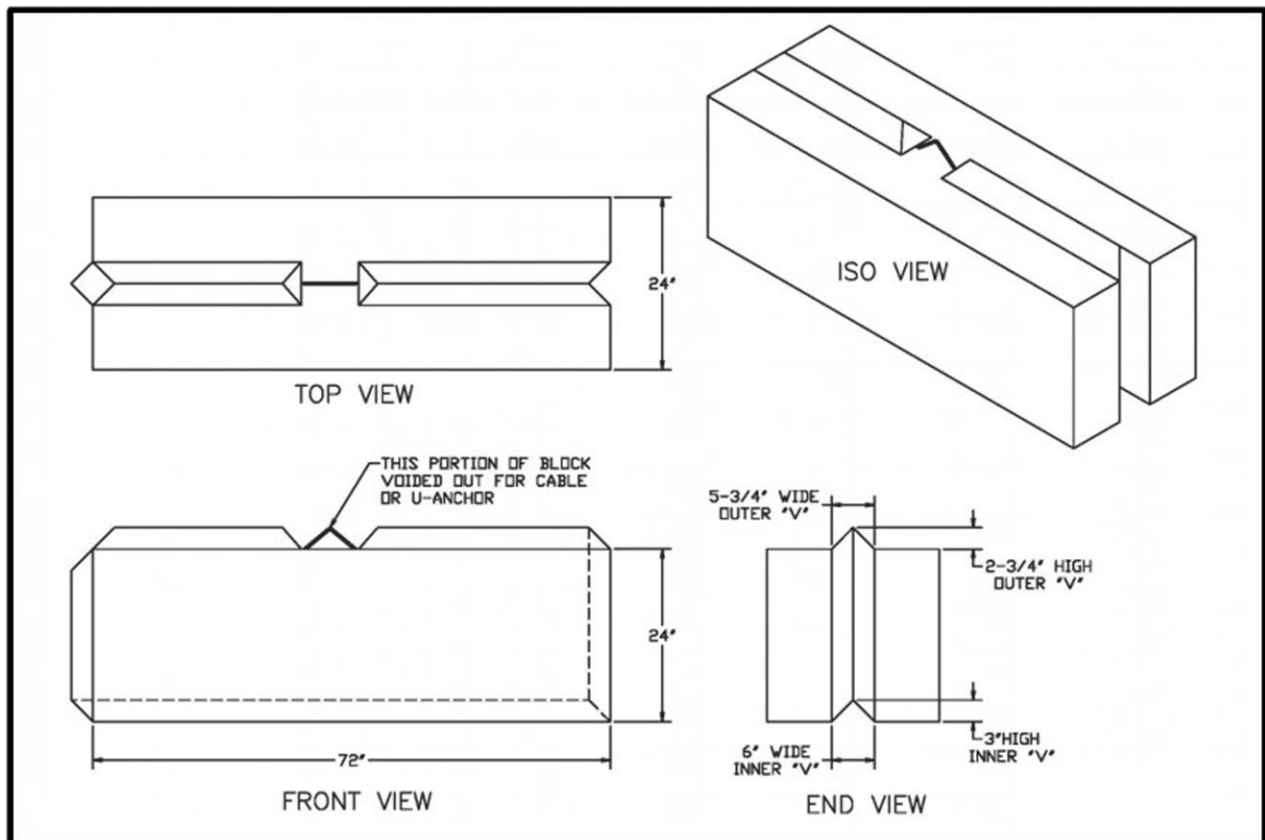




6' Straight Plain and Brick Face Block

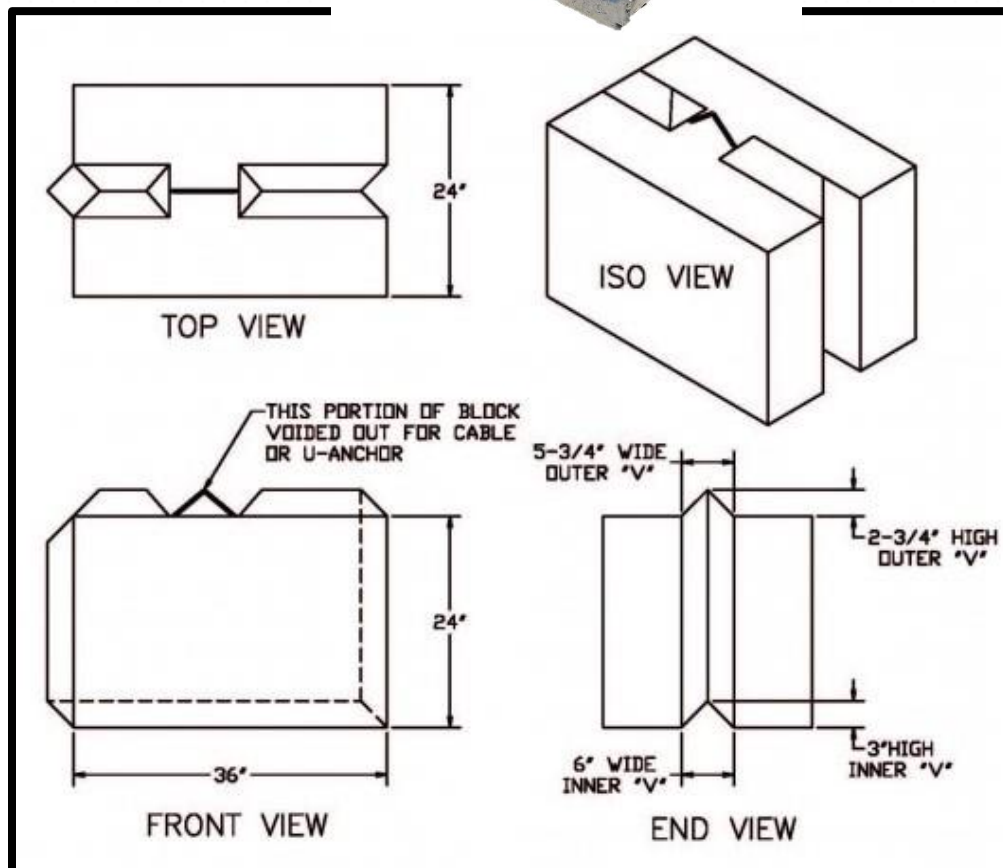
2'x2'x6'



Weight: 3300lbs

3' Straight Plain and Brick Face Block

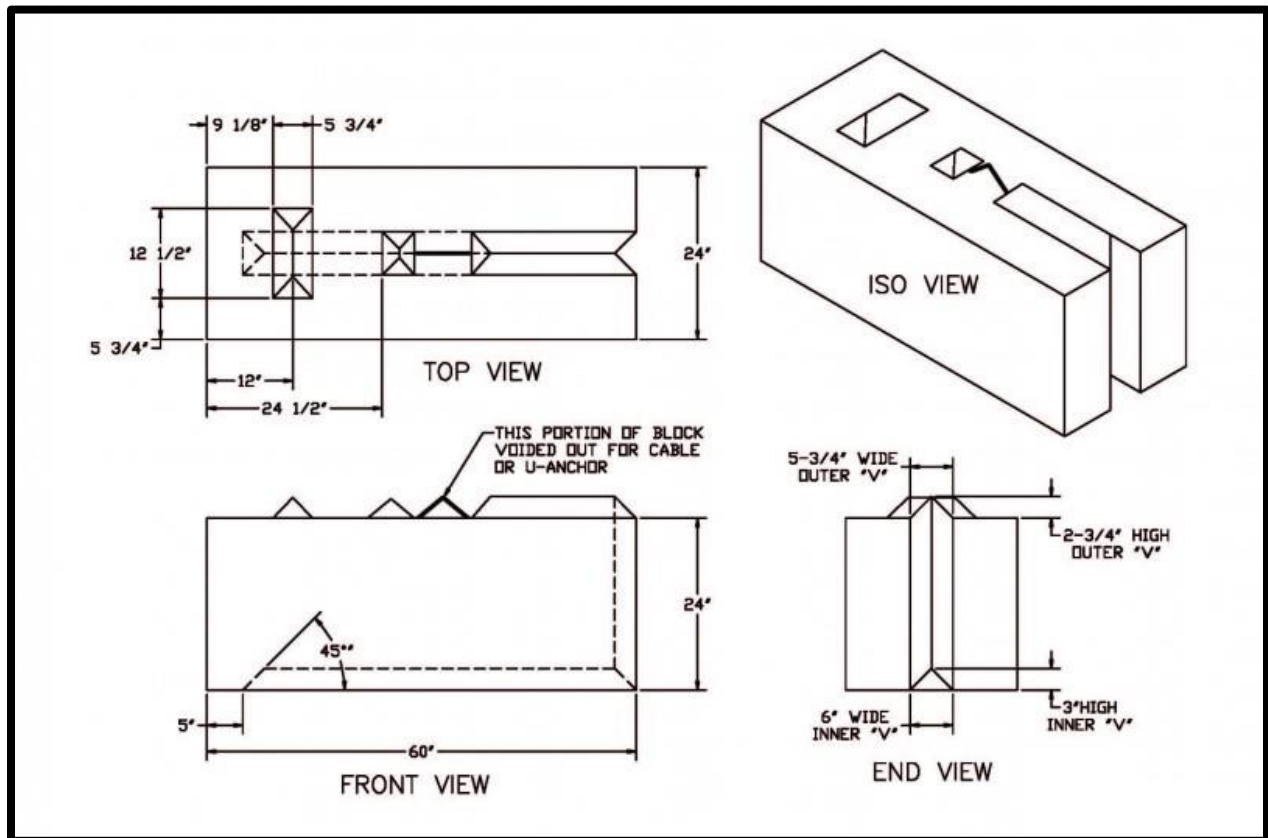
2'x2'x3'



Weight:
1700lbs

5' Corner Brick Face

2'x2'x5'



Weight: 2700



Full and Half Caps

8"x26"x6' and 8"x26"x3'



Weights: 1200lbs – Full Cap
600lbs – Half Cap

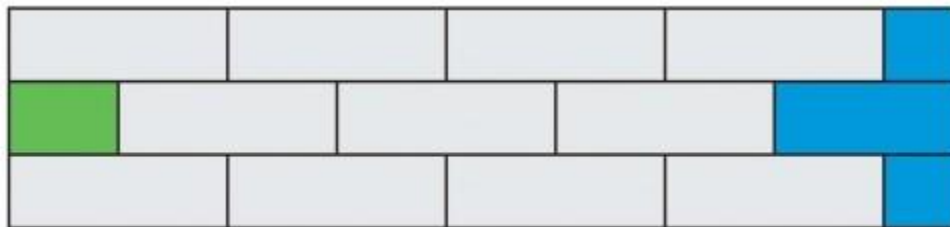
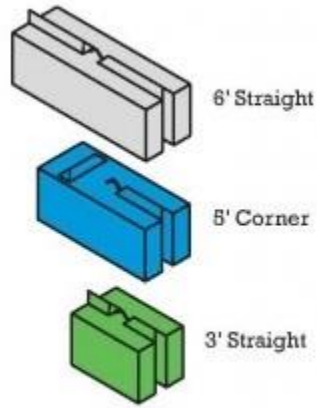
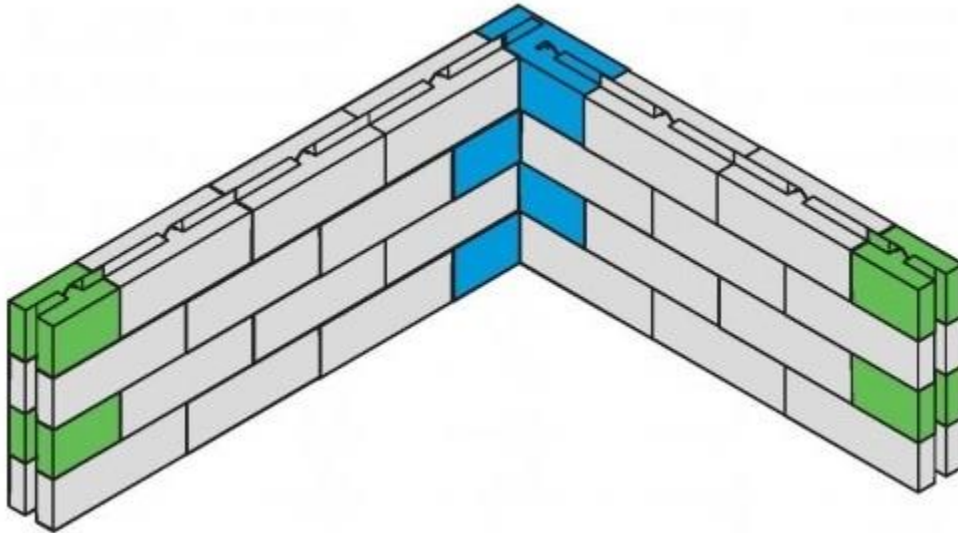
Railroad Tie

8"x8"x8'



Weight: 750lbs

Configurations





Boger Concrete Block Order Sheet

Item		Quantity
6' Straight Plain		
3' Straight Plain		
6' Straight Brick Face		
3' Straight Brick Face		
End in Brick Face		
Plain 5' Corner		
Brick Face 5' Corner		
Inside Stamped		
Outside Stamped		
Full Cap		
Half Cap		
Rail Road Tie		
Total:		

Pick Up Locations:

202 N Railroad St Annville, PA
1956 State Rt 22 Jonestown, PA
401 Richardson Rd. Middletown, PA

Hauling Available!

Contact for More Information:

Kevin Hoch: 717-554-9803

